

THOMSON
DELPHION

RESEARCH PRODUCTS INSIDE DELPHION

Log On! Search Filter Saved Searches My Account | Products Search: Quick/Number Boolean Advanced Derwen

The Delphion Integrated View

Get Now: PDF | [More choices...](#)

Tools: Add to Work File: [Create new Work F](#)

View: [INPADOC](#) | Jump to:

Email

Title: JP2000292282A2: METHOD FOR VERIFYING MEASUREMENT FORCE CONTACT-TYPE DETECTOR

Country: JP Japan
Kind: A2 Document Laid open to Public inspection ¹

Inventor: TSURUTA ATSUSHI;

Assignee: MITSUTOYO CORP
[News, Profiles, Stocks and More about this company](#)

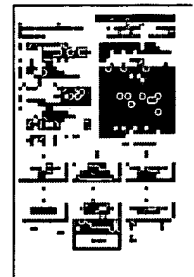
Published / Filed: 2000-10-20 / 1999-04-08

Application Number: JP1999000100775

IPC Code: G01L 5/00; G01B 5/00; G01B 21/00;

Priority Number: 1999-04-08 JP1999000100775

Abstract: PROBLEM TO BE SOLVED: To verify the measurement force of a contact-type detector regardless of a measurement direction by using an electronic balance for accurately measuring a load.
 SOLUTION: According to the method for verifying measurement force, in a contact-type detector 1A for determining the change in the position of a surface to be measured according to the displacement in one direction of a measuring probe 1a that is pressed against the surface to be measured, an electronic scale 2A for detecting a precise weight and an operation force converter 6A for supporting in a light friction state, a support shaft provided in the middle in the longitudinal direction composed by a light strip of member 12A are prepared. The distance between the operation end for a weighing stand 2a of the electronic scale 2A and the support axis is set equal to the distance between the operation point of a measuring probe 1a for the strip of member 12A and the support shaft, and the direction of the measurement force of the measuring probe 1a is changed to lower force by the strip of member 12A.
 COPYRIGHT: (C)2000,JPO



INPADOC Legal Status: None **Get Now:** [Family Legal Status Report](#)

BEST AVAILABLE COPY

Family:

PDF	Publication	Pub. Date	Filed	Title
<input checked="" type="checkbox"/>	JP2000292282A2	2000-10-20	1999-04-08	METHOD FOR VERIFYING MEASURE FORCE OF CONTACT-TYPE DETEC1
<input checked="" type="checkbox"/>	JP0292282A2	2000-10-20	1999-04-08	

2 family members shown above

Other Abstract
Info:

DERABS G2001-020036 DERABS G2001-020036



Nominate this for the Gall



BEST AVAILABLE COPY

⑬ Int. Cl.⁸
H 04 N 9/31

識別記号 庁内整理番号
C 7033-5C

⑭ 公開 平成2年(1990)7月23日

審査請求 未請求 請求項の数 1 (全2頁)

⑮ 考案の名称 投射型カラーテレビジョン

⑯ 実願 昭63-170466

⑰ 出願 昭63(1988)12月29日

⑱ 考案者 鈴木 隆 大阪府大阪市淀川区宮原3丁目5番24号 日本電気ホーム
エレクトロニクス株式会社内

⑲ 出願人 日本電気ホームエレクトロニクス株式会社 大阪府大阪市中央区城見1-4-24

⑳ 代理人 弁理士 加川 征彦

㉑ 実用新案登録請求の範囲

3色に対応する3つのCRTを縦に並べて配置したことを特徴とする投射型カラーテレビジョン。

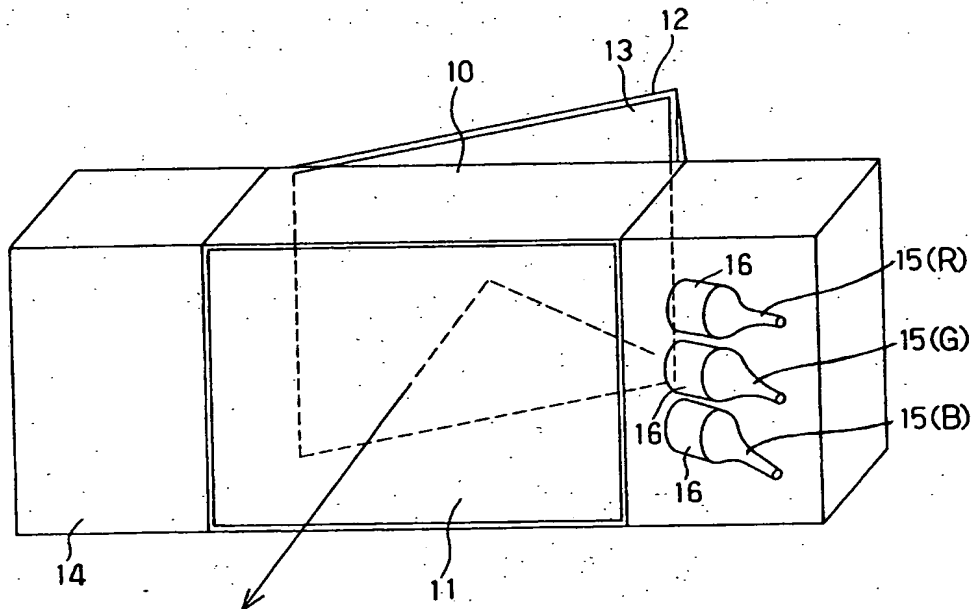
図面の簡単な説明

第1図は本考案の一実施例を示す投射型カラー

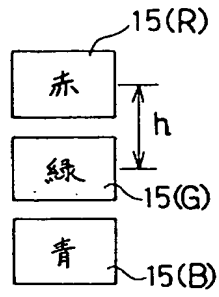
テレビジョンの斜視図、第2図は第1図における縦並びCRT配置の説明図、第3図は従来の投射型テレビジョンの斜視図、第4図は第3図における横並びCRT配置の説明図である。

15R、15G、15B……CRT(ブラウン管)、11……スクリーン、13……反射鏡。

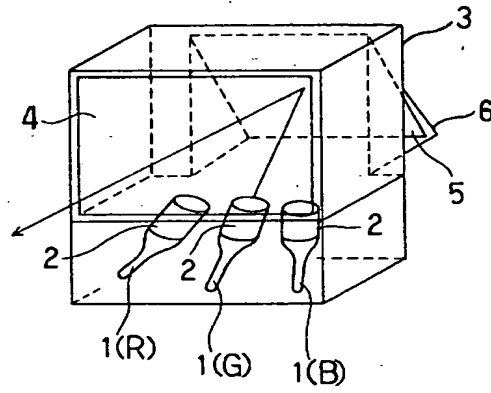
第1図



第 2 図



第 3 図



第 4 図

